

**TOYOTA PLUG & PLAY**

2-WAY COMPONENT SPEAKER UPGRADE

**GTx 1662 CTY**

2-WAY COAXIAL SPEAKER UPGRADE

**GTx 1662 TY**

GTx 1662 CTY



GTx 1662 TY



*Enjoy it.*

## INTRODUCTION

---

Proper system planning is vital in order to maximize the device's performance and road safety. Plan your installation carefully to avoid compromising performance reliability of the system. Consult an authorized Blaupunkt dealer for installation or reparation. Read the manual carefully before operating the device for the first time.

### Safety Notes

Ensure to follow below safety notes during installation and wiring connection: -

- Disconnect the negative terminal of the battery. Refer to the safety notes of the vehicle manufacturer.
- Ensure positions of the holes are nowhere near the vehicle component to avoid any damage during drilling.
- Ensure cross section of the cable is no less than 2.5mm<sup>2</sup> if the positive and negative cables are too long.
- Incorrect installation may result in malfunction of the device or the car sound system.

### Installation and Connection Instructions

- Select a dry and well-ventilated location to install the device.
- The device must not be installed in overly exposed location such as on the rear shelf, rear seat etc.
- The installation location must be suitable for screw holes and have stable ground support.

### Disclaimer

In no event shall Blaupunkt be liable for any direct, indirect, punitive, incidental, special consequential damages to property or life and whatsoever arising out of or connected with the use or misuse of our products.

USA & CANADA: This product is not intended for sale in the United States and Canada. If purchased in the U.S. or Canada, this product is purchased on an as-is basis. No warranty, whether expressed or implied is provided in the U.S. or Canada.

### Voltage Supply

- Use the supplied power extension cable to connect to the positive battery terminal.
- Firmly and carefully connect the ground lead to a bare metal point on the vehicle chassis.
- The control of the device should be a two-channel control, either via the preamplifier output of the car sound system.

- A control solely via the right or left channel is also possible since the low-frequency portion of the music is generally identical on both channels.

### Recycling and Disposal



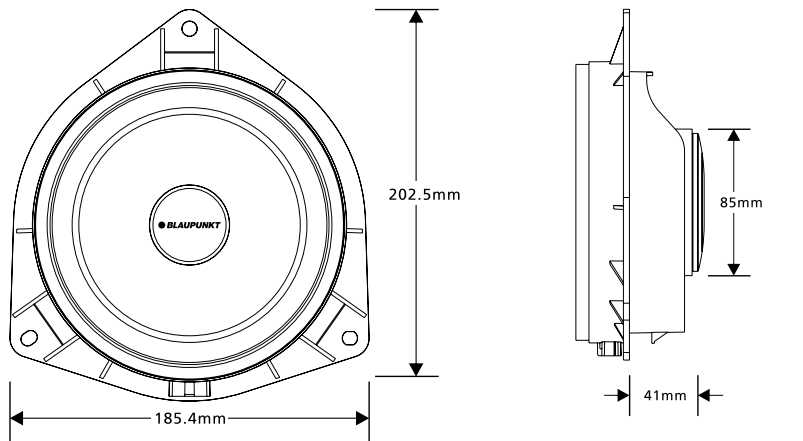
Do not dispose of your old unit in the household trash!  
Use the return and collection systems available to dispose of the old device.

This manual may be updated from time to time without any notice.

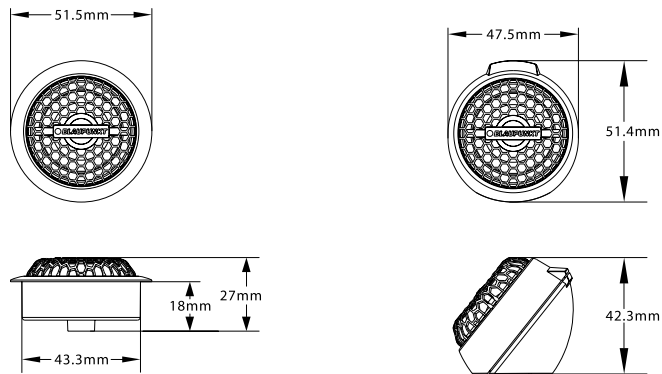
## SPECIFICATION

### GTx 1662 CTY

#### Woofers



#### Tweeters

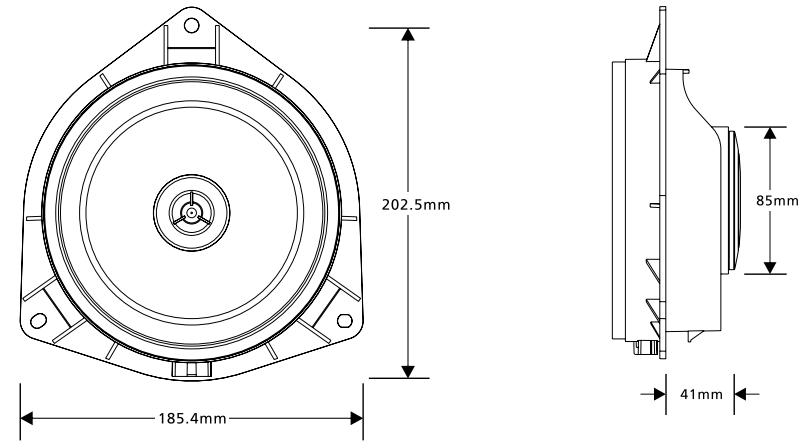


Pair of 6.5" Toyota plug & play 2-way component speaker to upgrade OE speaker for selected models with Synthetic Fiberglass Cone including mounting hardware

- Max. Power Handling : 80W
- Normal Output Power (RMS) : 40W
- Voice Coil : 25.5mm
- Tweeter Size : 25.4mm
- Impedance : 4ohms
- Frequency Response : 61Hz - 22,000Hz
- Sensitivity : 88dB
- Mounting Depth : 41mm
- Mounting Hole Diameter : 202.5mm

## SPECIFICATION

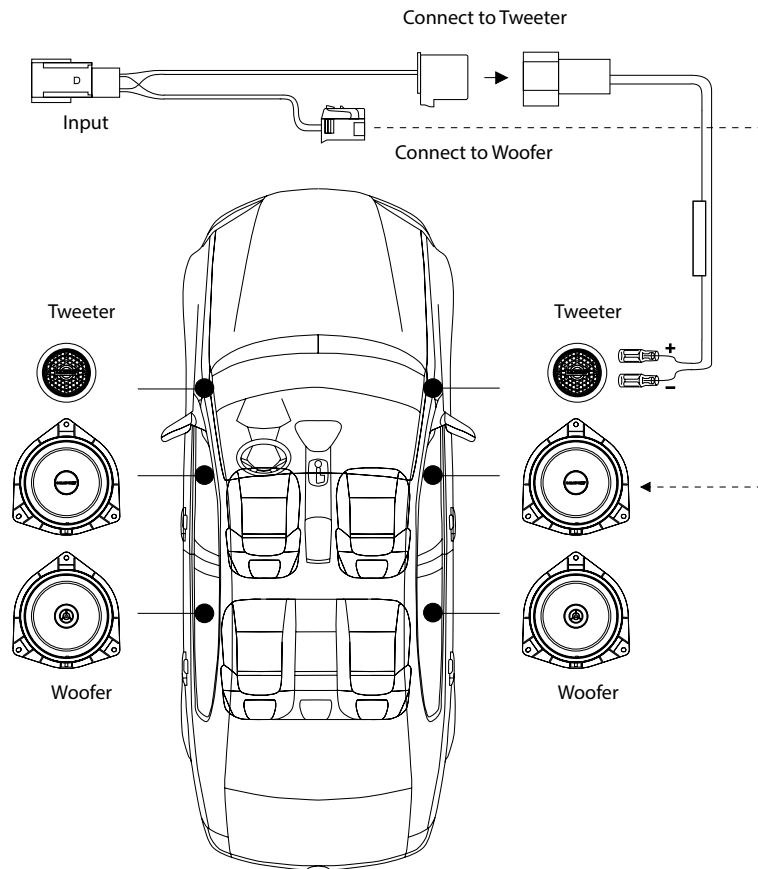
### GTx 1662 TY



Pair of 6.5" Toyota plug & play 2-way coaxial speaker to upgrade OE speaker for selected models with Synthetic Fiberglass Cone including mounting hardware

- Max. Power Handling : 80W
- Normal Output Power (RMS) : 40W
- Voice Coil : 25.5mm
- Tweeter Size : 13.28mm
- Impedance : 4ohms
- Frequency Response : 61Hz - 20,000Hz
- Sensitivity : 88dB
- Mounting Depth : 41mm
- Mounting Hole Diameter : 202.5mm

## INSTALLATION



## TROUBLESHOOTING

If any of the following problem occur, please resort to Troubleshooting for the possible solutions. Consult Blaupunkt authorized dealer if problem persist.

Problems	Possible Causes	Solutions
Speaker does not work	Incorrect or loose wiring connection.	Ensure proper wiring connections of speaker.
	Fraying or broken cables.	Repair or replace if the cables are damaged.
	Speaker is damaged.	Replace with a new speaker.
Distorted and hissing sound	Voice coil or speaker cone is damaged.	Replace with a new speaker.

## COMPATIBILITY LIST

GTx 1662 CTY & GTx 1662 TY can be installed in the following list of car models :

Model	Mounting Position
Yaris	Front/rear door
VIOS	Front/rear door
Corolla	Front door
Prius	Rear door
Avalon	Rear door
GT 86	Front door
Crown	Front/rear door
C-HR	Front/rear door
IZOA	Front/rear door
Prado	Rear door
Land Cruiser	Rear door
Highlander	Rear door
RAV4	Front/rear door
Alphard	Rear door
Lexus CT	Rear door
Lexus IS	Rear door
Lexus ES	Rear door
Lexus GS	Front door
Lexus LS	Rear door
Lexus NX	Front/rear door
Lexus RX	Rear door
Lexus GX	Rear door



**Designed and engineered by Blaupunkt Competence Centre**

GTx 1662 CTY  
1 111 20 023 02 01

GTx 1662 TY  
1 111 20 025 02 01