



VELOCITY POWER

BMW PLUG & PLAY SPEAKER UPGRADE

BM 1402 CM4



BM 1402 CU4



Enjoy it.

Operating and Installation Instructions

INTRODUCTION

Proper system planning is vital in order to maximize the device's performance and road safety. Plan your installation carefully to avoid compromising performance reliability of the system. Consult an authorized Blaupunkt dealer for installation or reparation. Read the manual carefullt before operating the device for the first time.

Safety Notes

Ensure to folow below safety notes during installation and wiring connection: -

- Disconnect the negative terminal of the battery. Refer to the safety notes of the vehcle manufacturer.
- Ensure positions of the holes are nowhere near the vehicle component to avoid any damage during drilling.
- Ensure cross section of the cable is no less than 2.5mm² if the positive and negative cables are too long.
- Incorrect installation may result in malfunction of the device or the car sound system.

Installation and Connection Instructions

- Select a dry and well-ventilated location to install the device.
- The device must not be installed in overly exposed location such on therear shelf, rear seat etc.
- The installation location must be suitable for screw holes and have stable ground support.

Disclaimer

In no event shall Blaupunkt be liable for any direct, indirect, punitive, incidental, special consequential damages to property or life and whatsoever arising out of or connected with the use or misuse of our products.

USA & CANADA: This product is not intended for sale in the United States and Canada. If purchased in the U.S. or Canada, this product is purchased on as-is basis. No warranty, whether expressed or implied is provided in the U.S. or Canada.

Voltage Supply

- Use the supplied power extension cable to connect to the positive battery terminal.
- Firmly and carefully connect the ground lead to a bare metal point on the vehicle chassis.
- The control of the device should be a two-channel control, either via the preamplifier output of the car sound system.
- A control solely via the right or left channel is also possible since the low-frequency portion of the music is generally identical on both channels.

Recycling and Disposal



Do not dispose of your old unit in the household trash!
Use the return and collection systems available to dispose of the old device.

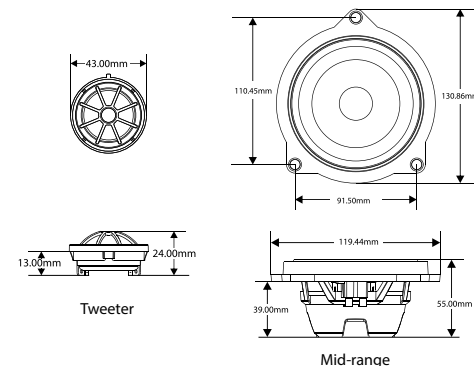
This manual may be updated from time to time without any notice.

SPECIFICATION

BM 1420 CM4

Pair of 4" BMW direct fit plug & play subwoofer to upgrade OE speaker installed for selected BMW models with paper cone material including installation instruction.

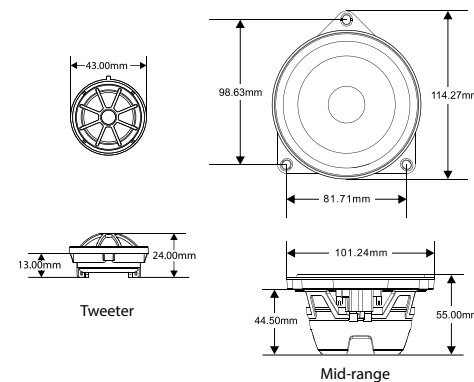
- Normal output power (RMS) : 30W
- Max. output power : 60W
- Sensitivity : 86dB
- Impedance : 4ohms
- Frequency response : 80Hz – 20,000Hz
- Surround : Rubber
- Magnet type : Neodymium magnet
- Mounting depth : 39mm
- Diameter hole : 129.5mm
- Overall height : 55mm



BM 1420 CU4

Pair of 4" BMW direct fit plug & play subwoofer to upgrade OE speaker installed for selected BMW models with paper cone material including installation instruction.

- Normal output power (RMS) : 30W
- Max. output power : 60W
- Sensitivity : 86dB
- Impedance : 4ohms
- Frequency response : 80Hz – 20,000Hz
- Surround : Rubber
- Magnet type : Neodymium magnet
- Mounting depth : 44.5mm
- Diameter hole : 114.3mm
- Overall height : 55mm



INSTALLATION



Reference vehicle is 2015 BMW 5-series. (For illustration purpose only)

Mid-range speakers



1. Carefully remove the trim piece with the help of door trim removal to prevent damage



2. Lift up the trim piece before slowly slide outward to release the trim from the door panel as seen in photograph



3. Remove the door handle



INSTALLATION



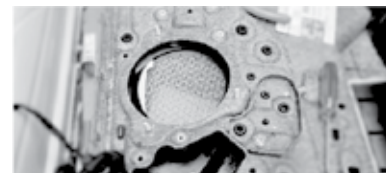
4. Note that the door panel is fixed by numerous plastic clips, carefully pull the door away and disconnect all wiring doorlatch cables. Be very careful to avoid the damage of the plastic clips during door panel removal



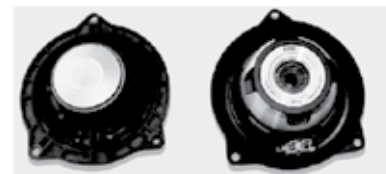
5. Remove front door card



6. Remove all 3 screws that hold the mid-range speaker



7. Side by side comparison of OE speaker and Blaupunkt speaker



8. Install Blaupunkt speaker using the original screws

INSTALLATION

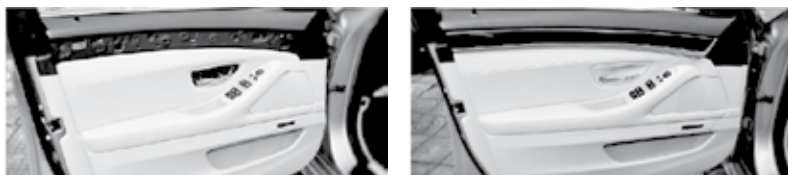
Tweeter



1. Carefully remove original tweeter housing. (Wind down window for easy installation)



2. Replace the tweeter and insert the foam to the triangle housing. (Door triangle housing has speaker grill and holder for tweeter which is not included in the Blaupunkt speaker)



3. Finally, reconnect the wirings and door latch cables, reassemble the removed parts back on to the door and tighten the door panel's screw firmly

COMPATIBILITY LIST

BM 1402 CM4/ BM 1402 CU4 can be installed in the following list of car models :

BM 1402 CM4

Series	Model	Mounting Position	Series	Model	Mounting Position
1 series	E81(3-door)	Front door	5 series	F10 (Limousine)	Front door/ Rear door
	E82 (Coupé)	Front door		F11 (Touring)	Front door/ Rear door
	E87 (5-door)	Front door	6 series	E63 (Coupé)	Front door/ Rear side panel
	E88 (Cabriolet)	Front door/ Rear side panel		E64 (Cabriolet)	Front door/ Rear side panel
3 series	E90 (Limousine)	Front door		F12 (Coupé)	Rear side panel
	E91 (Touring)	Front door/ Rear door	F13 (Cabriolet)	Rear side panel	
	E92 (Coupé)	Front door/ Rear side panel	X1	E84 (SUV)	Front door
	E93 (Cabriolet)	Front door/ Rear side panel			

BM 1402 CU4

Series	Model	Mounting Position	Series	Model	Mounting Position
1 series	E81(3-door)	Rear door	7 series	E65 (Limousine)	Front door/ Center
	E82 (Coupé)	Rear door		E66 (Limousine L)	Front door/ Center
	E87 (5-door)	Rear door	F01 (Limousine)	Front door/ Rear door/ Rear deck	
	F20 (5-door)	Rear deck	F02 (Limousine L)	Front door/ Rear door/ Rear deck	
	F21 (3-door)	Rear deck		G11 (Limousine)	Rear deck
2 series	F22 (Coupé)	Rear deck	G12 (Limousine L)	Rear deck	
	F87 (M2)	Rear deck	X1	E84 (SUV)	Rear deck
3 series	E90 (Limousine)	Rear deck		X3	E83 (SUV)
	F34 (Gran Turismo)	Rear deck	F25 (SUV)		Rear roof
	F80 (M2)	Rear deck	X5	E70 (SUV)	Front door/ Rear door
4 series	F32 (Coupé)	Rear deck		F15 (SUV)	Rear roof
	F33 (Cabriolet)	Rear deck		F85 (SUV)	Rear roof
	F36 (Gran Coupé)	Rear deck		X6	E71 (SUV)
	F82 (M4)	Rear deck	F16 (SUV)		Rear roof
5 series	E60 (Limousine)	Front door/ Center/ Rear deck	Z4	E89 (Roadster)	Front door/ Rear door
	E61 (Touring)	Front door/ Center/ Rear roof		i8	L15 (Roadster)
		F07 (Gran Turismo)	Front door/ Center/ Rear roof		Mini
	F11 (Touring)	Rear roof	R61 (Paceman)	Front door/ Rear door	
	G31 (Touring)	Rear roof			
	6 series	F06 (Gran Coupé)	Rear deck		
		F13 (Cabriolet)	Rear deck		



Designed and engineered by Blaupunkt Competence Centre

BM 1402 CM4
1 111 17 007 02 01

BM 1402 CU4
1 111 17 008 02 01