



● **BLAUPUNKT**

BLAUPUNKT
Brand
established
1924
GERMANY

2-WAY COAXIAL GTx 1652



Enjoy it.

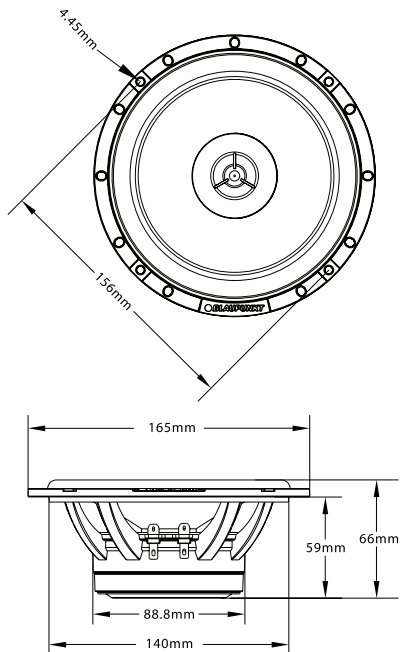
Operating and installation instructions





GTx 1652

Diagram



Pair of 6.5" 2-way coaxial speakers with PP injected cone including mounting hardware

- Max. output power : 80W
- Normal output power (RMS) : 30W
- Voice coil : 25.5mm
- Tweeter size : 20.4mm
- Impedance : 3.6 ohms
- Frequency response : 58Hz - 20,000Hz
- Sensitivity : 89dB
- Mounting depth : 59mm
- Diameter hole : 165mm



Designed and engineered by **Blaupunkt Competence Center**

1 111 19 022 02 01

