

NISSAN PLUG & PLAY

2-WAY COMPONENT SPEAKER UPGRADE

GTx 1662 CNS

2-WAY COAXIAL SPEAKER UPGRADE

GTx 1662 NS

GTx 1662 CNS



GTx 1662 NS



Enjoy it.

INTRODUCTION

Proper system planning is vital in order to maximize the device's performance and road safety. Plan your installation carefully to avoid compromising performance reliability of the system. Consult an authorized Blaupunkt dealer for installation or reparation. Read the manual carefully before operating the device for the first time.

Safety Notes

Ensure to follow below safety notes during installation and wiring connection: -

- Disconnect the negative terminal of the battery. Refer to the safety notes of the vehicle manufacturer.
- Ensure positions of the holes are nowhere near the vehicle component to avoid any damage during drilling.
- Ensure cross section of the cable is no less than 2.5mm² if the positive and negative cables are too long.
- Incorrect installation may result in malfunction of the device or the car sound system.

Installation and Connection Instructions

- Select a dry and well-ventilated location to install the device.
- The device must not be installed in overly exposed location such as on the rear shelf, rear seat etc.
- The installation location must be suitable for screw holes and have stable ground support.

Disclaimer

In no event shall Blaupunkt be liable for any direct, indirect, punitive, incidental, special consequential damages to property or life and whatsoever arising out of or connected with the use or misuse of our products.

USA & CANADA: This product is not intended for sale in the United States and Canada. If purchased in the U.S. or Canada, this product is purchased on an as-is basis. No warranty, whether expressed or implied is provided in the U.S. or Canada.

Voltage Supply

- Use the supplied power extension cable to connect to the positive battery terminal.
- Firmly and carefully connect the ground lead to a bare metal point on the vehicle chassis.
- The control of the device should be a two-channel control, either via the preamplifier output of the car sound system.

- A control solely via the right or left channel is also possible since the low-frequency portion of the music is generally identical on both channels.

Recycling and Disposal



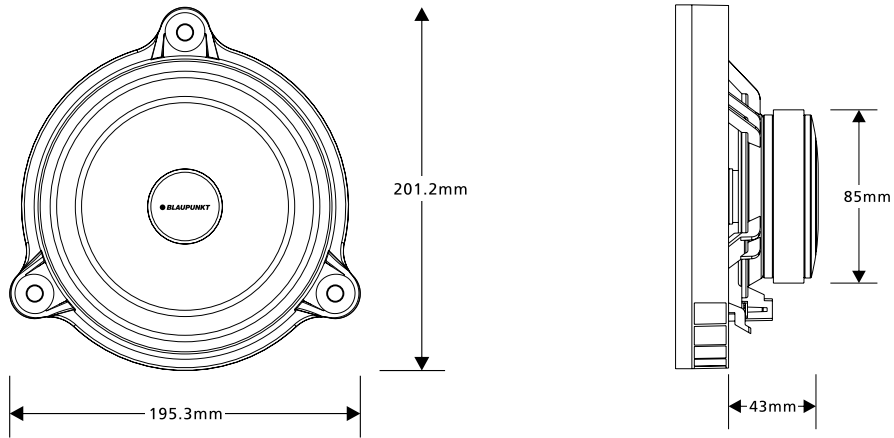
Do not dispose of your old unit in the household trash!
Use the return and collection systems available to dispose of the old device.

This manual may be updated from time to time without any notice.

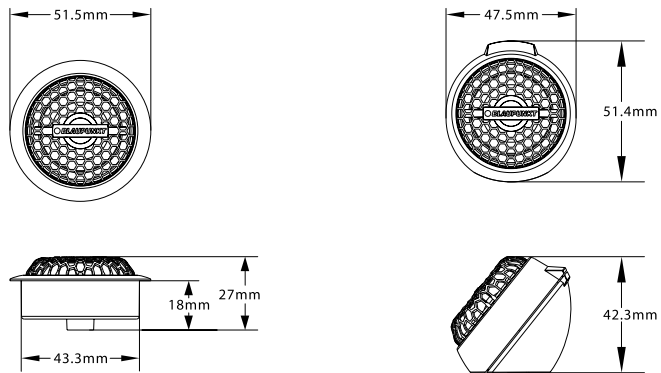
SPECIFICATION

GTx 1662 CNS

Woofer



Tweeter

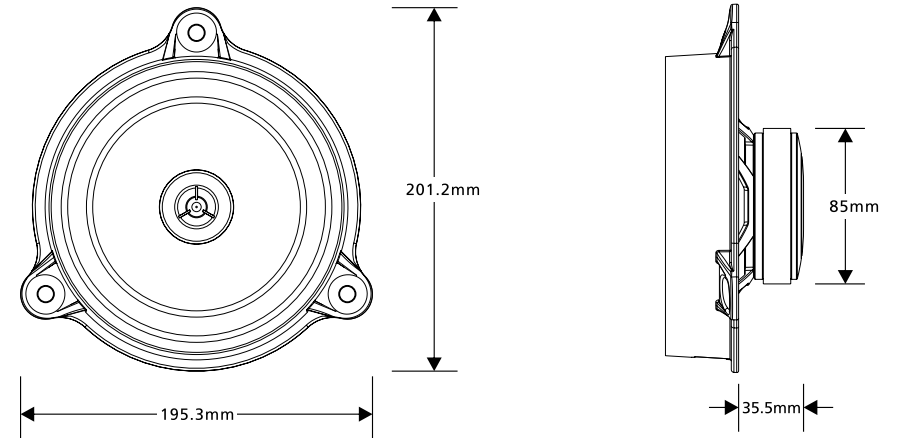


Pair of 6.5" Nissan plug & play 2-way component speaker to upgrade OE speaker for selected models with Synthetic Fiberglass Cone including mounting hardware

- Max. Power Handling : 80W
- Normal Output Power (RMS) : 40W
- Voice Coil : 25.5mm
- Tweeter Size : 25.4mm
- Impedence : 4ohms
- Frequency Response : 61Hz - 22,000Hz
- Sensitivity : 88dB
- Mounting Depth : 41mm
- Mounting Hole Diameter : 193mm

SPECIFICATION

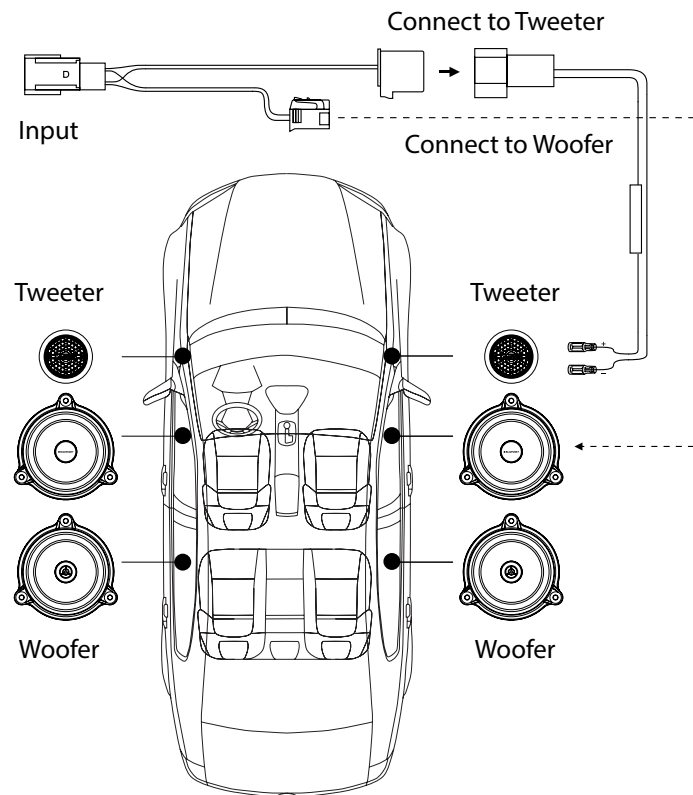
GTx 1662 NS



Pair of 6.5" Nissan plug & play 2-way coaxial speaker to upgrade OE speaker for selected models with Synthetic Fiberglass Cone including mounting hardware

- Max. Power Handling : 80W
- Normal Output Power (RMS) : 40W
- Voice Coil : 25.5mm
- Tweeter Size : 13.28mm
- Impedence : 4ohms
- Frequency Response : 61Hz - 20,000Hz
- Sensitivity : 88dB
- Mounting Depth : 43mm
- Mounting Hole Diameter : 193mm

INSTALLATION



COMPATIBILITY LIST

GTx 1662 CNS & GTx 1662 NS can be installed in the following list of car models :

Model	Mounting Position
March	Front/rear door
TIIDA	Front/rear door
Livina	Front/rear door
Versa	Front/rear door
Sentra/Sylphy	Front/rear door
Lannia	Front/rear door
Altima/Teana	Front/rear door
Maxima	Rear door
Kicks	Front/rear door
QASHAQAI	Front/rear door
Terra	Front/rear door
Rogue/X-trail	Front/rear door
Murano	Front/rear door
Pathfinder	Rear door
Armada	Rear door
Patrol	Rear door

TROUBLESHOOTING

If any of the following problem occur, please resort to Troubleshooting for the possible solutions. Consult Blaupunkt authorized dealer if problem persist.

Problems	Possible Causes	Solutions
Speaker does not work	Incorrect or loose wiring connection.	Ensure proper wiring connections of speaker.
	Fraying or broken cables.	Repair or replace if the cables are damaged.
	Speaker is damaged.	Replace with a new speaker.
Distorted and hissing sound	Voice coil or speaker cone is damaged.	Replace with a new speaker.



Designed and engineered by Blaupunkt Competence Centre

GTx 1662 CNS
1 111 20 027 02 01

GTx 1662 NS
1 111 20 028 02 01