

HONDA PLUG & PLAY

2-WAY COMPONENT SPEAKER UPGRADE

GTx 1662 CHN

2-WAY COAXIAL SPEAKER UPGRADE

GTx 1662 HN

GTx 1662 CHN



GTx 1662 HN



Enjoy it.

INTRODUCTION

Proper system planning is vital in order to maximize the device's performance and road safety. Plan your installation carefully to avoid compromising performance reliability of the system. Consult an authorized Blaupunkt dealer for installation or repairation. Read the manual carefullt before operating the device for the first time.

Safety Notes

Ensure to folow below safety notes during installation and wiring connection: -

- Disconnect the negative terminal of the battery. Refer to the safety notes of the vehicle manufacturer.
- Ensure positions of the holes are nowhere near the vehicle component to avoid any damage during drilling.
- Ensure cross section of the cable is no less than 2.5mm² if the positive and negative cables are too long.
- Incorrect installation may result in malfunction of the device or the car sound system.

Installation and Connection Instructions

- Select a dry and well-ventilated location to install the device.
- The device must not be installed in overly exposed location such on therear shelf, rear seat etc.
- The installation location must be suitable for screw holes and have stable ground support.

Disclaimer

In no event shall Blaupunkt be liable for any direct, indirect, punitive, incidental, special consequential damages to property or life and whatsoever arising out of or connected with the use or misuse of our products.

USA & CANADA: This product is not intended for sale in the United States and Canada. If purchased in the U.S. or Canada, this product is purchased on as-is basis. No warranty, whether expressed or implied is provided in the U.S. or Canada.

Voltage Supply

- Use the supplied power extension cable to connect to the positive battery terminal.
- Firmly and carefully connect the ground lead to a bare metal point on the vehicle chassis.
- The control of the device should be a two-channel control, either via the preamplifier output of the car sound system.

- A control solely via the right or left channel is also possible since the low-frequency portion of the music is generally identical on both channels.

Recycling and Disposal



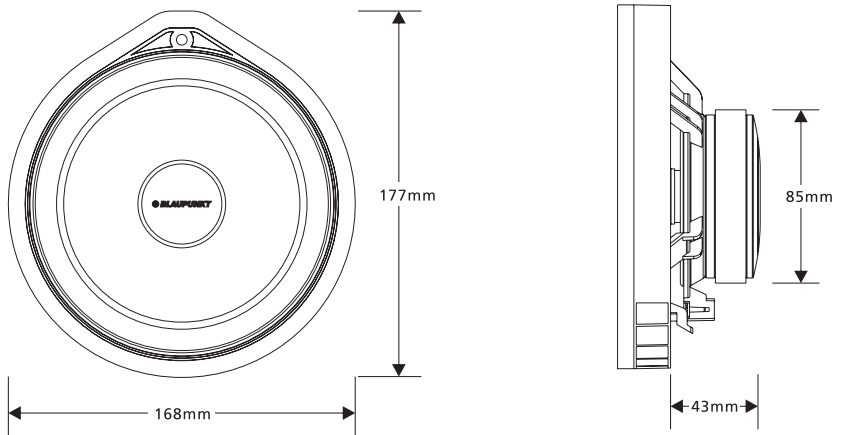
Do not dispose of your old unit in the household trash!
Use the return and collection systems available to dispose of the old device.

This manual may be updated from time to time without any notice.

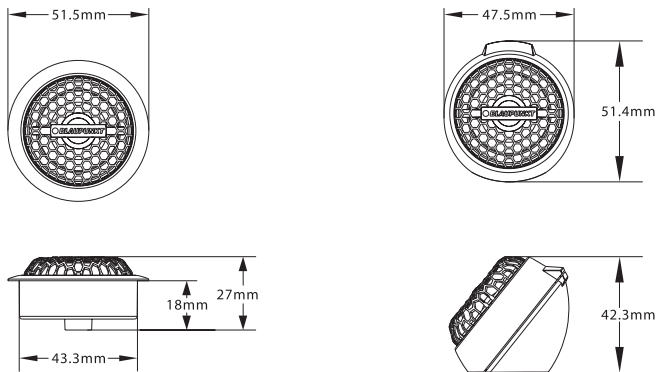
SPECIFICATION

GTx 1662 CHN

Woofers



Tweeter

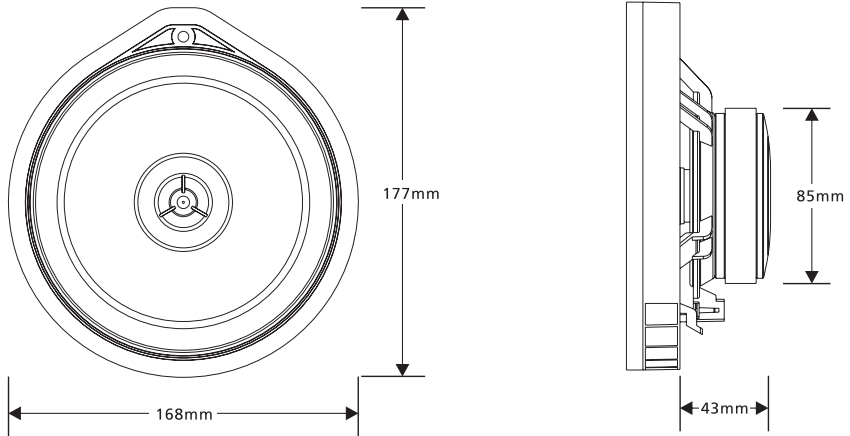


Pair of 6.5" Honda plug & play 2-way component speaker to upgrade OE speaker for selected models with Synthetic Fiberglass Cone including mounting hardware

- Max. Power Handling : 80W
- Normal Output Power (RMS) : 40W
- Voice Coil : 25.5mm
- Tweeter Size : 25.4mm
- Impedence : 4ohms
- Frequency Response : 61Hz - 22,000Hz
- Sensitivity : 89dB
- Mounting Depth : 43mm
- Mounting Hole Diameter : 117mm

SPECIFICATION

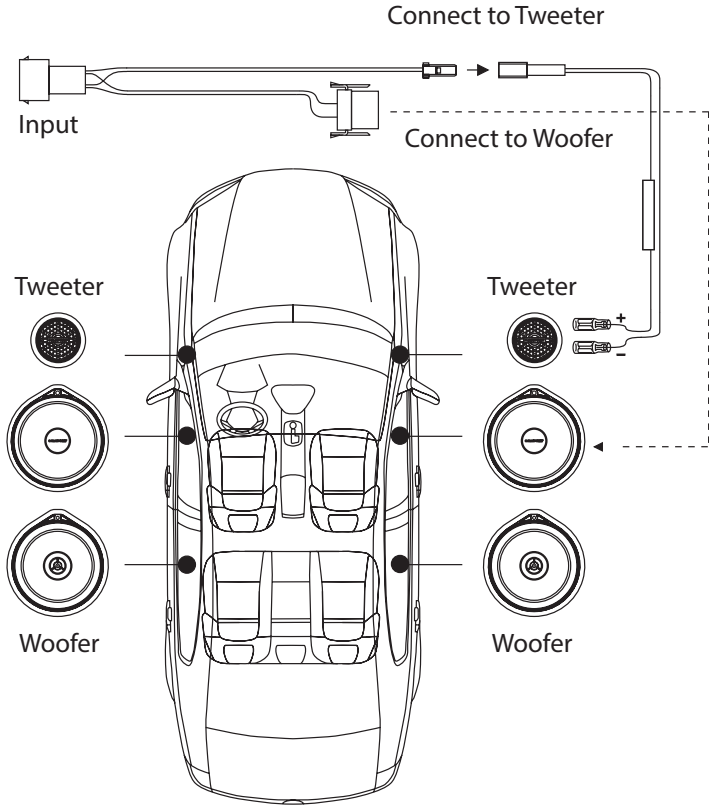
GTx 1662 HN



Pair of 6.5" Honda plug & play 2-way coaxial speaker to upgrade OE speaker for selected models with Synthetic Fiberglass Cone including mounting hardware

- Max. Power Handling : 80W
- Normal Output Power (RMS) : 40W
- Voice Coil : 25.5mm
- Tweeter Size : 13.28mm
- Impedence : 4ohms
- Frequency Response : 61Hz - 20,000Hz
- Sensitivity : 88dB
- Mounting Depth : 43mm
- Mounting Hole Diameter : 117mm

INSTALLATION



TROUBLESHOOTING

If any of the following problem occur, please resort to Troubleshooting for the possible solutions. Consult Blaupunkt authorized dealer if problem persist.

Problems	Possible Causes	Solutions
Speaker does not work	Incorrect or loose wiring connection.	Ensure proper wiring connections of speaker.
	Fraying or broken cables.	Repair or replace if the cables are damaged.
	Speaker is damaged.	Replace with a new speaker.
Distorted and hissing sound	Voice coil or speaker cone is damaged.	Replace with a new speaker.

COMPATIBILITY LIST

GTx 1662 CHN & GTx 1662 HN can be installed in the following list of car models :

Model	Mounting Position
Fit	Front/rear door
City	Front/rear door
Greiz	Front/rear door
Gienia	Front/rear door
Crider	Front/rear door
Civic	Front/rear door
Insight	Front/rear door
Accord	Front/rear door
Spirior	Front/rear door
Inspire	Front/rear door
Civic Type-R	Front/rear door
XR-V	Front/rear door
VEZEL	Front/rear door
HR-V	Front/rear door
CR-V	Front/rear door
UR-V	Front/rear door
Pilot	Front/rear door
Avancier	Front/rear door
Jade	Front/rear door
Odyssey	Front/rear door
Elysion	Front/rear door



Designed and engineered by Blaupunkt Competence Centre

GTx 1662 CHN
1 111 20 024 02 01

GTx 1662 HN
1 111 20 026 02 01