

BLAUPUNKT



CAR RADIO
OSAKA 100



Enjoy it.

CAUTIONS

CLEANING NOTES

Solvents, cleaning and scouring agents as well as dashboard spray & plastics care product may contain ingredients that will damage the surface of the car sound system.

- Use only a dry or slightly moistened cloth for cleaning the car sound system.
- If necessary, clean the contacts of the control panel regularly using a soft cloth moistened with cleaning alcohol.

DISPOSAL NOTES



Do not dispose of your old unit in the household trash!

Use the return and collection systems available to dispose of the old device.

SCOPE OF DELIVERY

The scope of delivery includes:

- 1 Car radio
- 1 Operating & installation instructions
- 1 Remote control (incl. battery)
- 1 Connecting cable chamber A
- 1 Connecting cable chamber B
- 1 Installation kits
- 2 Removal key

PLACING THE DEVICE IN OPERATION

Caution!

Vehicle screws

Ensure vehicle screws are removed before installation. (See "Installation" instructions).

DAMAGE CONTROL

Do not drop control panel. Protect the control panel during transportation to avoid encountering with impacts and dirt.

Do not expose the control panel to direct sunlight or high temperature. Avoid direct contact with the control panel's electrical parts.

NOTE

The car sound system will automatically turn off as soon as the control panel is removed.

DISCLAIMER

In no events shall Blaupunkt be liable for any direct, indirect, punitive, incidental, special consequential damages, to property of life, improper storage, whatsoever arising out of or connected with the use or misuse of our products.

USA & CANADA : Products not intended for sales in the United States and Canada. If purchased in the U.S. or Canada, this product is purchased as-is. No warranty, express or implied is provided in the U.S. and Canada.

STRUCTURE



1. VOLUME/MODE

Turn knob left or right to increase/decrease volume or press continuously to select FLAT/POP/ROCK/CLASS/BASS/TRE/BAL/FAD

2. BND/AMS

Radio mode : Press to change radio band (18FM) or press & hold to preset button 1~6 with auto memory stations.

USB/SD mode : Press into song to select mode, turn VOLUME knob to select song and press VOLUME knob to start playing.

3. Power/MUTE

Press to mute sound output, press & hold to power on/off

4. LCD SCREEN DISPLAY

5. I<<

Radio mode : Press to auto seek down or press & hold for manual seek down

USB/SD mode : Press to return to previous song or press & hold to Fast Rewind

6. IR SENSOR

7. USB PORT

8. RESET

9. MOD/CLK

Press to select mode of media RADIO-USB-SD-AUXIN or press & hold for clock

10.1/>II

Radio mode : Press & hold to preset stations
USB/SD mode : Function as PAUSE/PLAY button

11.2/INT

Radio mode : Press & hold to preset stations
USB/SD mode : Function as introduction, playback each song for 10seconds

12.3/RPT

Radio mode : Press & hold to preset stations
USB/SD mode : Function as repeat, repeat current song playback

13.4/RDM

Radio mode : Press & hold to preset stations
USB/SD mode : Function as random, playback song in shuffle mode

14.5/-10

Radio mode : Press & hold to preset stations
USB/SD mode : Press to playback previous 10th song or press & hold to return to previous folder

15.6/+10

Radio mode : Press & hold to preset stations
USB/SD mode : Press to skip to 10th song or press & hold to skip to next folder

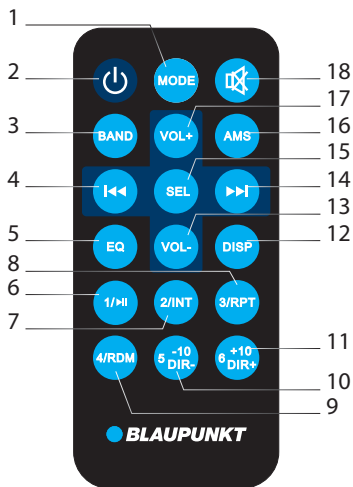
16.>>I

Radio mode : Press for auto seek up or press & hold for manual seek up
USB/SD mode : Press to skip to next 10th song or press & hold to Fast Forward

17.SD SLOT

18.AUX-IN PORT

STRUCTURE



1. Select mode of media
2. Power : On / Off
3. Select stations band
4. Return to previous / fast rewind
5. Select equalizer
6. Pause / play
7. Introduction / song preview (USB/SD)
8. Repeat song
9. Random / shuffle play
10. Return to 10th song / previous folder
11. Skip to 10th song / next folder
12. Press & hold to adjust clock setting
13. Volume down
14. Skip to next / fast forward
15. Select Treble/Bass/Fader/Balance
16. Press & hold to search stations
17. Volume up
18. Mute

FEATURE

Display

- Blue Display Key with LED Backlight
- Fixed Panel

Audio

- 4 x 40W Built-in amplifier
- RCA Rear Preout
- Auto Equalizer

Tuner

- Menu/ID3 Tag
- 18 FM Preset Station
- Local Seek Tuning

Media Playback

- MP3/WMA/WAV Playback
- USB 2.0 / SD Playback
- SDHC (Support up to 32GB)
- Front Aux input
- Repeat (Disc/Title)

Accessories

- Remote control

OPERATION

General

Power supply : 13.8V DC

Load impedance : 4 ohms

Max. output power : 4 x 40W

Tone control : ± 8 dB (bas 100Hz, treble 10KHz)

USB

Signal-to-noise ratio : 65dB

Separation : 60dB (1KHz)

Distortion : 0.1%

Tuner

Range : 87.5 ~ 108MHz

IF range : 10.7MHz

Usable sensitivity (-30dB) : 15dB

Signal-to-noise ratio : 60dB

Stereo separation : 30db

Frequency response : 50~12000Hz

INSTALLATION INSTRUCTION

SAFETY

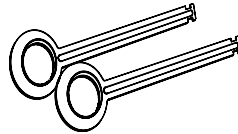
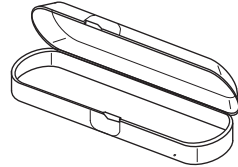
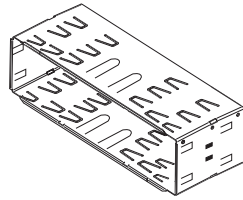
- Assign a mounting location that will not obstruct driver in any circumstances. Or cause injuries to drivers and passengers in case emergency brake or accidents.
- Ensure all wires are connected properly, and that the unit is functioning well before fitting the unit into the mount.
- Any unauthorized installation and modification may cause malfunction to the unit. Always use the parts that are included with the units only.

CAUTION

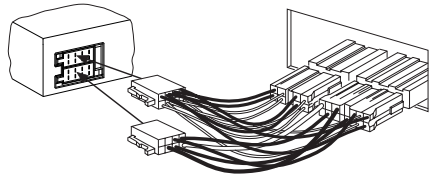
- Disconnect the negative terminal of the battery (Refer to vehicle manufacturer's safety instructions). Be wary to not damage vehicle components when drilling holes.
- Make sure you do not damage vehicle components when drilling any holes.
- The cross sections of the positive and negative cables must not be less than 1.5 mm².
- Do not connect the vehicle's plug connectors to the radio!
- Your vehicle may differ from the description provided here. Blaupunkt is not liable in case any damage caused by incorrect installation or connection.
- Please contact Blaupunkt dealers or vehicle's manufacturer if information provided here does not fit your specific installation requirement.

When installing amplifier, first connect the device ground connections before connecting the plugs for the line-out jacks. Ground connection of external devices may not be connected to ground of car sound system (housing).

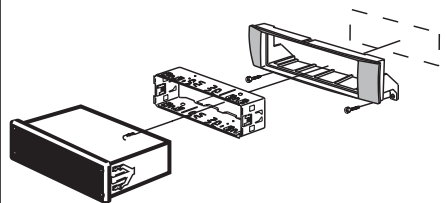
Supplied mounting hardware



Available as optional accessories

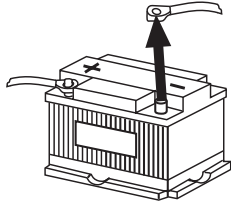


Installation kit

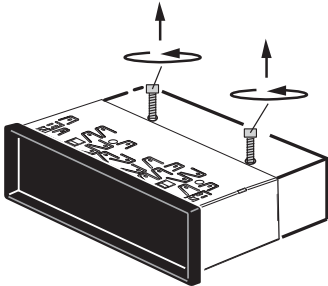


INSTALLATION INSTRUCTION

1.

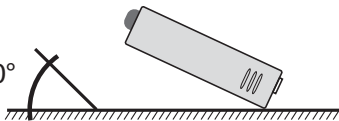


2.

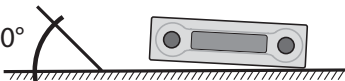


3.

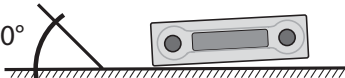
0° - 30°



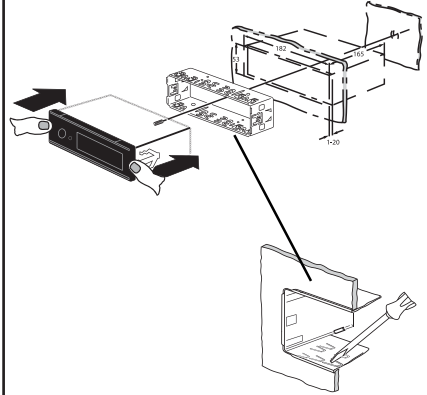
+/- 10°



+/- 10°

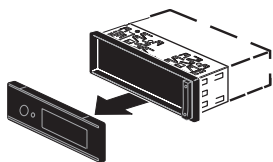


4.

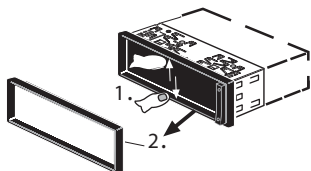


DISMANTLE INSTRUCTION

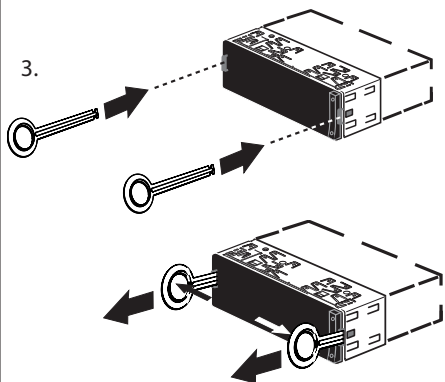
1.



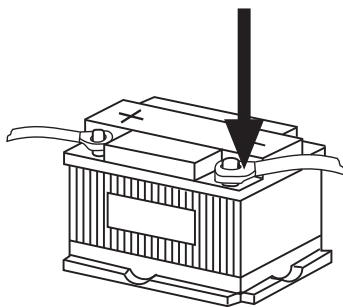
2.



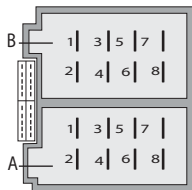
3.



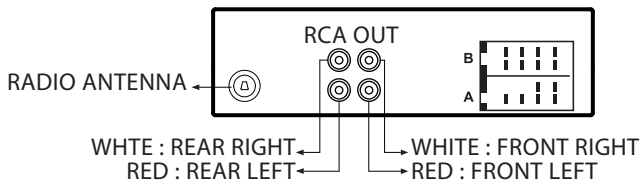
4.



WIRING DIAGRAM



A	B
A1 : -	B1 : REAR RIGHT +
A2 : MUTE	B2 : REAR RIGHT -
A3 : -	B3 : FRONT RIGHT +
A4 : B+ (YELLOW)	B4 : FRONT RIGHT -
A5 : ANT (BLUE)	B5 : FRONT LEFT +
A6 : ILL	B6 : FRONT LEFT -
A7 : ACC (RED)	B7 : FRONT LEFT +
A8 : GND (BLACK)	B8 : REAR LEFT -



- This unit is designed for 12V DC negative ground operation system only. Before installing the unit, ensure vehicle is connected to 12V negative ground electrical system
- The negative battery terminal must be disconnected before making connections. This will help to prevent device from being damaged by short-circuit.
- Ensure to connect the colour coded leads correctly according to the diagram. Incorrect connections may cause unit to malfunction and may damage vehicle's electrical system.
- Ensure to connect the speaker (-) leads to the speaker (-) terminal. Do not connect the left and right channel speaker cables to each other or the vehicle.
- Do not block vents or radiator panels. Ensure good ventilation to prevent overheating.

TROUBLESHOOTING

Before going through the checklist, check wiring connection.

If any of the problem continues after checklist has been made, consult an authorized dealer.

SYMPTOM	CAUSE	SOLUTION
No power supply	Car ignition turned off	Switch the key position to "ACC" to turn on ignition.
	Broken fuse	Replace the fuse.
No sound output	Low volume	Adjust volume to desire level.
	Wiring connection	Check if wire is connected correctly.
Breaking/skipping sound	Installation angle is more than 30 degree	Adjust installation angle to less than 30 degree.
	Defective disc or dirty disc	Clean the disc or insert new disc.
Operating keys failed to function	Chipset technical error	Press reset button to reset unit.
Unable to connect to radio station and automatic selection is not functioning	Antenna cable connection	Connect antenna cable correctly.
	Weak signals	Select stations manually.

SUPPORTED AUDIO FORMAT

FILE FORMAT	BIT RATE
MP3	32Kbps - 320Kbps
WMA	32Kbps - 320Kbps
WAV	32Kbps - 320Kbps

