

ACTIVE SUBWOOFER

XLb 250 A

XLb 300 A



XLb 250 A



XLb 300 A

Enjoy it.

CAUTION

SAFETY NOTES

The active subwoofer is manufactured according to established safety guidelines. However, dangers may still occur if you do not observe the safety notes in this manual. This manual is intended to familiarize you with the device's important functions. Read this carefully and completely prior to using the device. Keep this manual in a location accessible by all users. In addition, do observe the instructions of the devices used in conjunction with this active subwoofer.

Ensure to follow below safety notes during installation and wiring connection

- Disconnect the negative terminal of the battery. Refer to the safety notes of vehicle manufacturer.
- Ensure positions of the holes are nowhere near the vehicle component to avoid any damage during drilling.
- Ensure cross section of the cable is no less than 2.5mm² if the positive and negative cables are too long.
Incorrect installation may result in malfunction of the device or the car sound system.

Installation and Connection Instructions

- Turn the amplifier level control to its minimum position. Choose a song (OR the right music) that has high dynamic content, according to your preference. Turn the unit up to its highest undistorted output level. If you are lack in test equipment, take note that the undistorted output level occurs between 3/4 to full volume, depending on the quality of your source unit. Listen for any audible distortion. If any audible distortion is detected, reduce the volume of the source unit until output is no longer distorted. Finally, leave the volume control at this position during system tuning.
- Select a dry and well-ventilated location to install the device.
- The device must not be installed in overly exposed location such on the rear shelf, rear seat etc.

- The installation location must be on a stable ground support and suitable for screw holes.

Integrated Fuse

- The integrated fuse in the device protects the output voltage and the entire electrical system in case of malfunction. In case of fuse damage, do not replace with higher current fuse.

Switching On/Off

- This device will automatically turn on if a music signal is detected. The device will also automatically turn off if no music signal is received.

ROAD SAFETY

Always observe the following notes on road safety:

- Use the device in such a way that you can always safely control your vehicle. It is recommended to stop at a suitable and safe location to operate/examine the device. Operate the sound systems at a moderate volume level to avoid drowning traffic noise. Do not increase the car radio volume while the car radio is muted as it is not audible. The car radio volume can be too loud when the car radio is unmuted. Continuous exposure to sound pressure levels over 100dB may cause permanent hearing damage.

GENERAL SAFETY NOTES

Observe the following to protect yourself against injuries

- The supply voltage requirement is 12V DC with grounded negative connection. Unauthorised dismantling or modifying may void the warranty of the device. Blaupunkt is not liable for any loss or damaged caused or resulting from unauthorized repair or modification to the device. Refer to a Blaupunkt specialist in case of any installation or repair required.
- The device's core components may be damaged when the car is driven on bumpy roads for a prolonged period of time or if it is used to play non-standard volume level.

CAUTION

- Please do not operate the car radio under extreme temperature conditions (extremely high temperature or extremely low temperature); ensure the temperature within the car ranges from -20° to 70° before connecting to the power supply.
- For abnormalities, please refer to the “Troubleshooting” section. Consult a specialist if the problem persists.
- Solvents, cleaning and scouring agents as well as dashboard spray and plastics care products may contain materials which can damage the surface and screen of the device. Use only dry or slightly moistened cloth to clean the device.
- This manual may be updated from time to time without any prior notice.

DISCLAIMER

In no event shall Blaupunkt be liable for any direct, indirect, punitive, incidental, special consequential damages to property or life and whatsoever arising out of or connected with the use or misuse of our products.

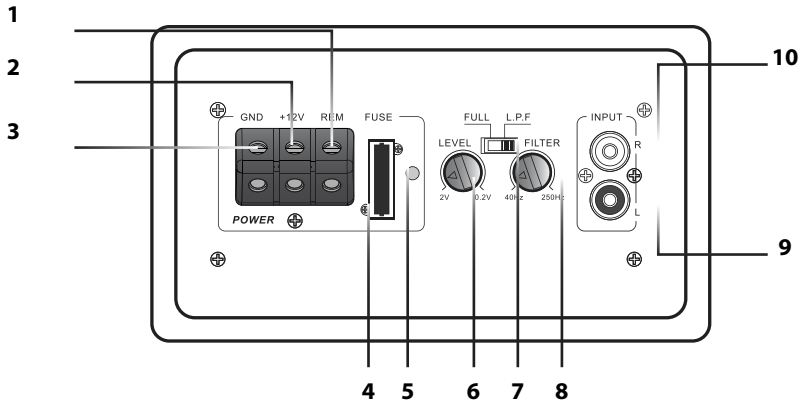
USA & CANADA: This product is not intended for sale in the United States and Canada. If purchased in the U.S. or Canada, this product is purchased on as-is basis. No warranty, whether expressed or implied is provided in the U.S. or Canada.

RECYCLING AND DISPOSAL



Please dispose responsibly.

FUNCTION CONTROL



1. Remote (REM) : Connect Remote to the electrical aerial output / remote output of your radio with remote cable
2. +12V : Connect +12V power supply to the car battery with power cable (power connection)
3. Power (GND) : Ensure the chassis of the vehicle is connected to the Ground correctly (remove paint to reveal bare metal if needed) with ground cable
4. FUSE : Protects device from voltage supply damage.
5. Power Indicator Light
6. LEVEL : Adjust the input gain of the unit to accept deafferent level of input signal
7. CROSSOVER : Full / L.P.F (low pass filter)
8. FILTER : Adjust L.P.F. frequency (40Hz – 250Hz)
9. INPUT (R) : Connect it to the RCA output of the car radio with RCA cable
- 10.INPUT (L) : Connect it to the RCA output of the car radio with RCA cable

SPECIFICATIONS

XLb 250 A

Subwoofer

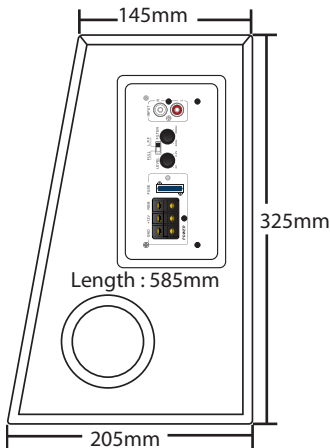
- Speaker Size : 10"
- Cone Composition : Paper Cone, Rubber Surround

Amplifier

- Amplifier Technology : Class A/B
- Normal Output Power (RMS) : 100W
- Max. Output Power : 200W
- Speaker Sensitivity : $88\pm 3\text{dB}$
- Signal-to-Noise : 50dB
- Impedance : 4ohms
- Frequency Response : 20hz-20khz
- Low Pass Filter (LPF) : 40hz-250hz
- Fuse Rating : 15A
- RCA Low Level Input : 200mV- 2000mV

Accessories

- 1 x Subwoofer
- 1 x Manual
- 10 x Mounting Screws
- 2 x Iron Sheets
- 1 x Hexagonal Wrench



XLb 300 A

Subwoofer

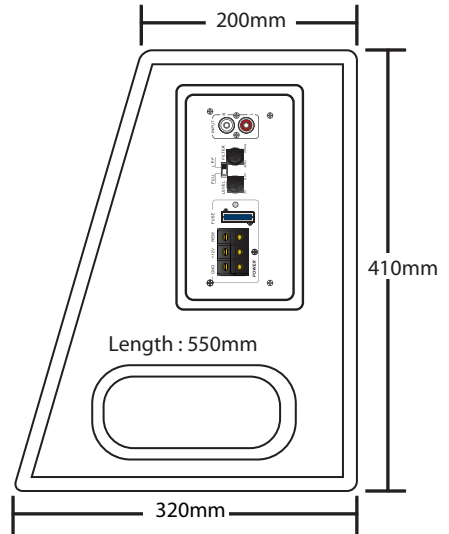
- Speaker Size : 12"
- Cone Composition : Paper Cone, Rubber Surround

Amplifier

- Amplifier Technology : Class A/B
- Normal Output Power (RMS) : 150W
- Max. Output Power : 300W
- Speaker Sensitivity : $89\pm 3\text{dB}$
- Signal-to-Noise : 50dB
- Impedance : 4ohms
- Frequency Response : 20hz-20khz
- Low Pass Filter (LPF) : 40hz-250hz
- Fuse Rating : 15A
- RCA Low Level Input : 200mV- 2000mV

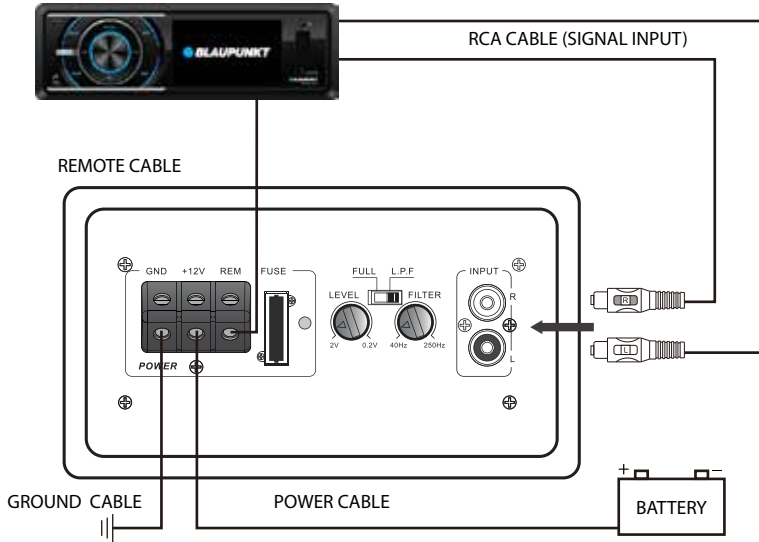
Accessories

- 1 x Subwoofer
- 1 x Manual
- 10 x Mounting Screws
- 2 x Iron Sheets
- 1 x Hexagonal Wrench
200mm

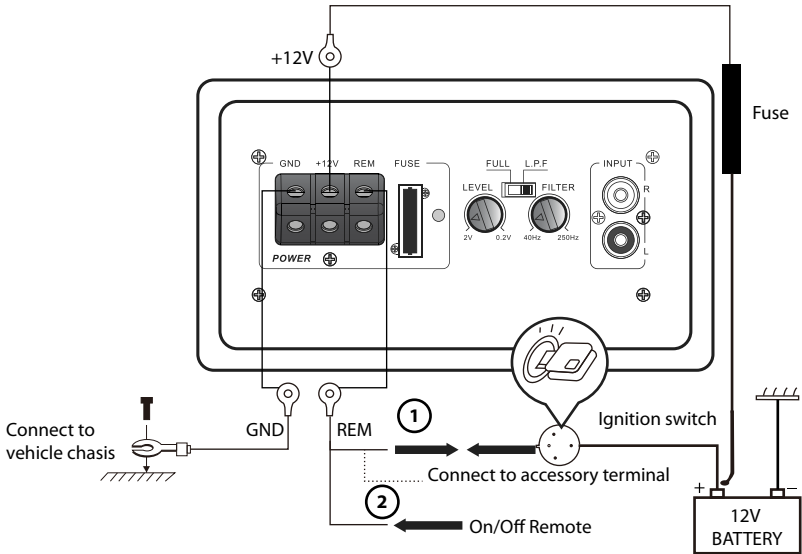


WIRING DIAGRAM

CAR RADIO CONNECTION



POWER SUPPLY CONNECTION



*Place the fuse in the power supply lead as close as possible to the car battery

TROUBLESHOOTING

Examine if your wiring diagram is correct by referring to Diagram 1 & Diagram 2 in case of device operation or performance failure. The following table indicate other possible problems and solutions. Refer an authorized Blaupunkt dealer if problem persist.

Problem	Solution
Amplifier power up failure	Examine if the ground connection is intact.
	Examine if remote input has at least 5V DC.
	Examine if battery power is connected correctly to the + terminal.
	Ensure supplied voltage is minimum 12V.
	Examine if fuse is broken and replace if necessary.
	Restart the device if protection LED light is on.
No sound output	Examine fuses and replace if necessary.
	Examine ground connection is intact.
	Examine if remote input has at least 5V DC.
	Examine if RCA audio cables are connected to the right inputs.
	Examine if speaker wiring is intact.
Low sound output	Reset Level Control
	Examine the Crossover Control setting.
Buzzing noise	Observe if the device is still producing noise after turning on and off the amplifier. If yes, examine if the cables are correctly connected and if the cables and radio are in good condition. Repair or replace if the cables or the radio are not in good condition.
Squealing noise interference	Ensure RCA connections are properly connected.
Distorted sound output	Ensure input level of the device matches the signal level of the head unit.
	Always set the input level to the lowest.
	Examine if crossover frequency is set correctly.
	Examine if speaker wire had short-circuit.
Amplifier temperature increased	Examine the minimum speaker impedance for the amp models is correct.
	Ensure good air ventilation around the device. Add external cooling fan if necessary.
Engine noise (static sound) interference	Usually caused by poor RCA cable quality, which release noise. Use only the best quality cables, and route them away from power cables.
Engine noise (alternator whine) interference	Examine if RCA cable are nowhere near or attached to the vehicle chassis. Examine if head unit is properly connected to the wires.

