

**BLAUPUNKT**



# 7-BAND EQUALIZER EQ 700



*Enjoy it.*

Operating and Installation Instructions

## INTRODUCTION

Proper system planning is vital in order to maximize the device's performance and road safety. Plan your installation carefully to avoid compromising performance reliability of the system. Consult an authorized Blaupunkt dealer for installation or repairation. Read the manual carefullt before operating the device for the first time.

### Safety Notes

Ensure to follow below safety notes during installation and wiring connection: -

- Disconnect the negative terminal of the battery. Refer to the safety notes of the vehicle manufacturer.
- Ensure positions of the holes are nowhere near the vehicle component to avoid any damage during drilling.
- Ensure cross section of the cable is no less than 2.5mm<sup>2</sup> if the positive and negative cables are too long.
- Incorrect installation may result in malfunction of the device or the car sound system.

### Installation and Connection Instructions

- Select a dry and well-ventilated location to install the device.
- The device must not be installed in overly exposed location such on therear shelf, rear seat etc.
- The installation location must be suitable for screw holes and have stable ground support.

### Disclaimer

In no event shall Blaupunkt be liable for any direct, indirect, punitive, incidental, special consequential damages to property or life and whatsoever arising out of or connected with the use or misuse of our products.

USA & CANADA: This product is not intended for sale in the United States and Canada. If purchased in the U.S. or Canada, this product is purchased on as-is basis. No warranty, whether expressed or implied is provided in the U.S. or Canada.

### General Safety Notes

Observe the following to protect yourself against injuries :

- The supply voltage requirement is 12V DC with grounded negative connection. Unauthorised dismantling or modifying may void the warranty of the device. Blaupunkt is not liable for any loss or damaged caused or resulting from unauthorized repairation or modification to the device. Refer to a Blaupunkt specialist in case of any installation or repairation required.
- The device's core components may be damaged when the car is driven on bumpy roads for a prolonged period of time or if it is used to play non-standard volume level.
- Please do not operate the car radio under extreme temperature conditions (extremely high temperature or extremely low temperature); ensure the temperature within the car ranges from -10°C to 85°C (Storage temperature : 5°C to 35°C) before connecting to the power supply.
- For abnormalities, please refer to TROUBLESHOOTING. Consult a specialist if theproblem persist.
- Solvents, cleaning and scouring agents as well as dashboard spray and plastics care products may contain materials which can damage the surface and screen of the device. Use only dry or slightly moistened cloth to clean the device.

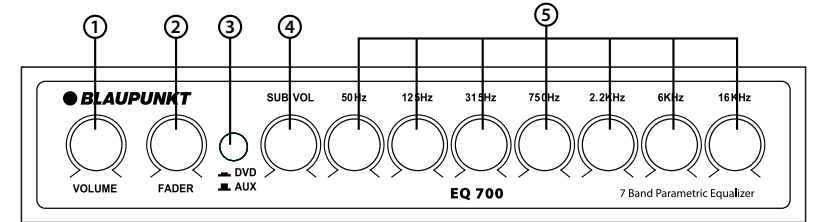
### Recycling and Disposal



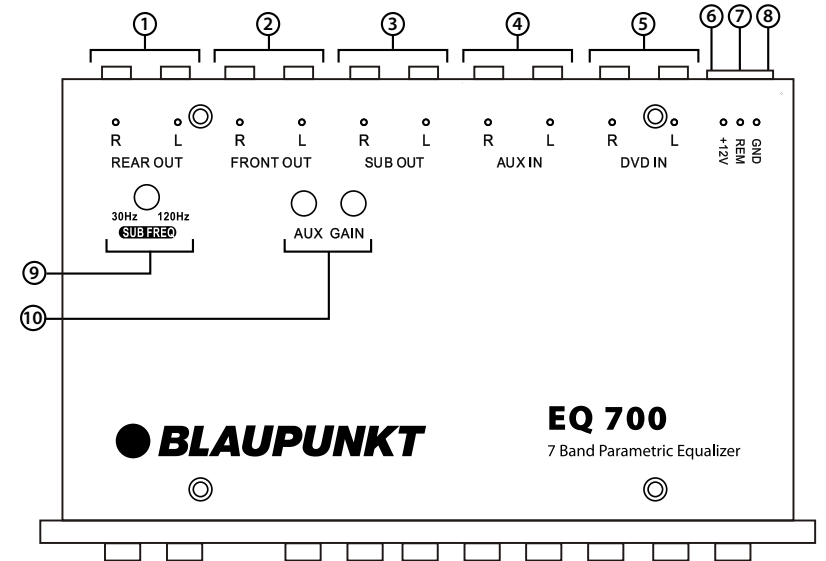
Do not dispose of your old unit in the household trash! Use the return and collection systems available to dispose of the old device.

This manual may be updated from time to time without any notice.

## FUNCTION



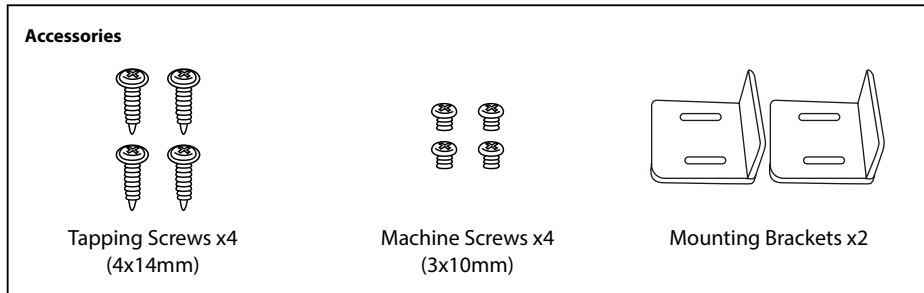
1. Volume Control : Adjust the output level of the volume
2. Fader Control : Adjust the volume of the 4 front & rear speakers
3. Input Selector Switch : Switch between DVD or AUX inputs
4. Subwoofer Control : Adjust the output level of the subwoofer
5. Parametric Equalization Control : Control the frequency response of the Booster or cut with 4 tone controls each 50Hz,125Hz, 315Hz, 750Hz, 2.2kHz, 6kHz & 16kHz.



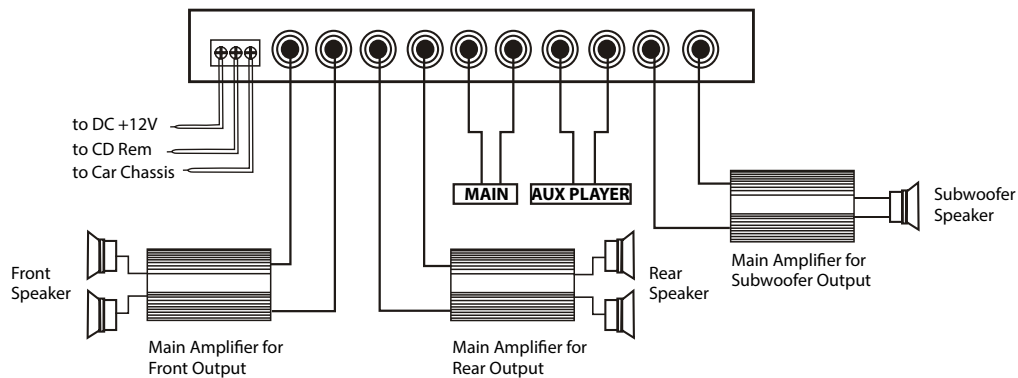
1. REAR OUT
2. FRONT OUT
3. SUB OUT
4. AUX IN
5. DVD IN
6. +12V Connection
7. REM Control
8. GND
9. Sub Frequency
10. AUX Volume Control

## SPECIFICATION

- Power Supply : 11-15V DC Neg. Ground
- Max. Output Voltage : 7V RMS
- Pre Graphic Frequency : 50Hz, 125Hz, 315Hz, 750Hz, 2.2kHz, 6KHz, 16KHz
- Equalization Range : 12dB
- Subwoofer Frequency : 30-120Hz
- Input Impedance : 15K Ohms
- S/N Ratio : 90dB
- Total Harmonic Distortion : 0.05%
- Channel Separation : 70dB
- Frequency Response : 10Hz-50KHz (-3dB)

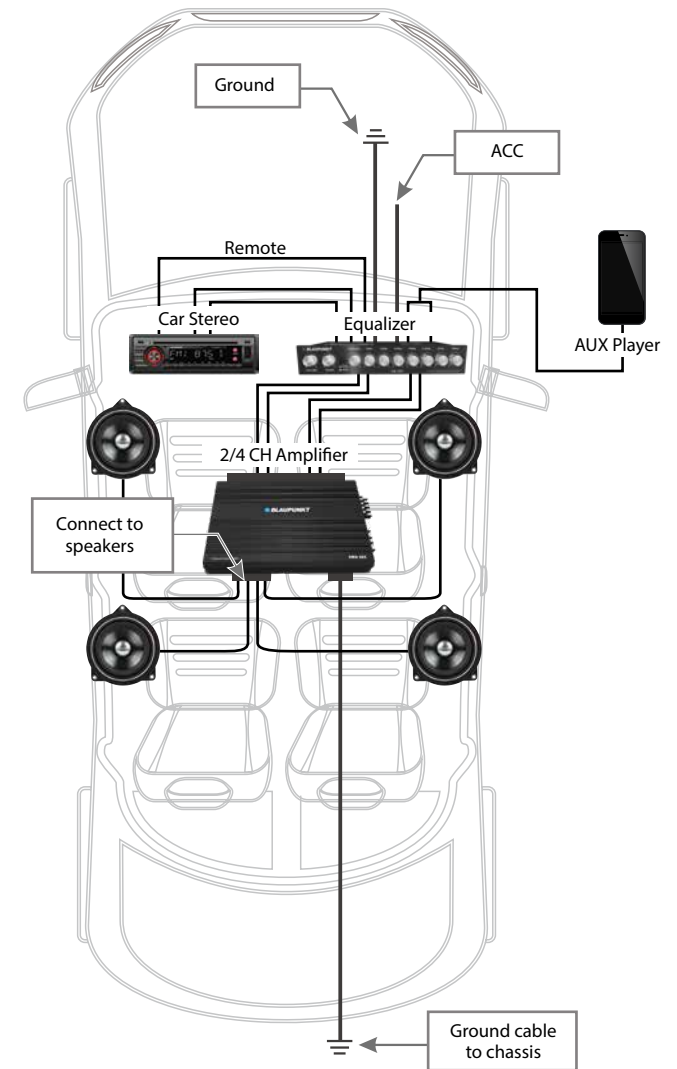


## WIRING DIAGRAM



## WIRING DIAGRAM

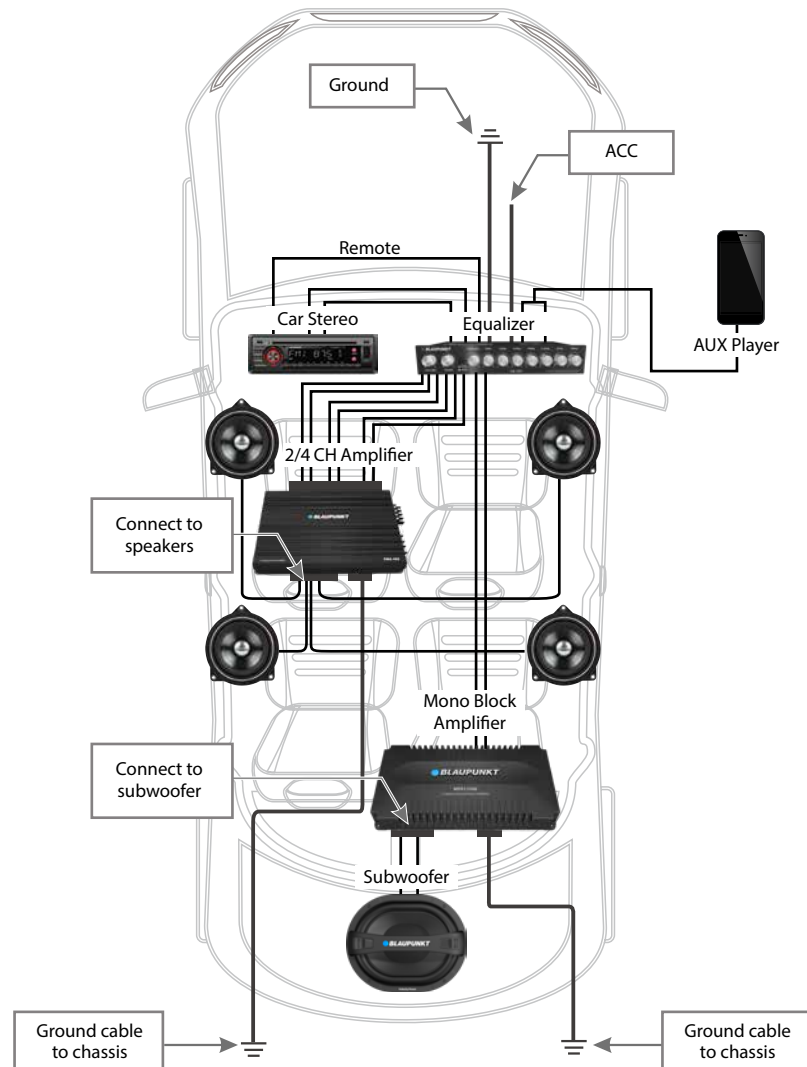
Option 1



**⚠ WARNING**  
Do not connect negative charge of the battery to the positive charge before installation.

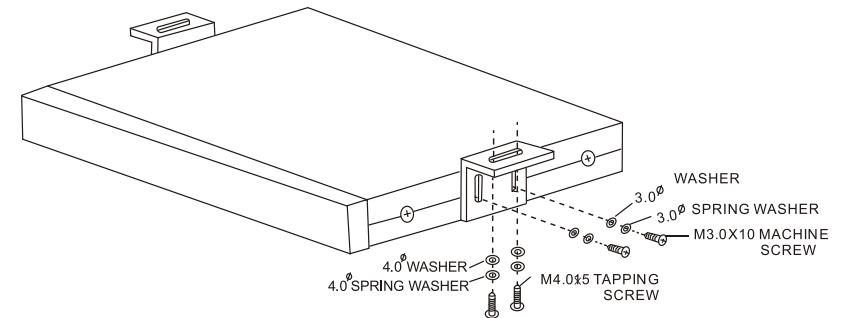
## WIRING DIAGRAM

### Option 2



**⚠ WARNING**  
Do not connect negative charge of the battery to the positive charge before installation.

## INSTALLATION



1. Select an ideal installation location to mount the product unit under the dashboard.
2. Drill 4 holes with 4.2mm diameter. Fix the mounting brackets under the dash or in the rear of the car with 4pcs of 4x14mm tapping screws. Be careful when drilling to avoid damaging existing wiring under the dashboard.
3. Mount the unit to the mounting bracket with 4pcs of 3x10mm machine screw.

## TROUBLESHOOTING

If any of the following problem occur, please resort to Troubleshooting for the possible solutions. Consult Blaupunkt authorized dealer if problem persist.

Problems	Possible Causes	Solutions
No audio output	Disconnected power wires.	Examine power wire and ground connections. Replace and repair accordingly.
	Disconnected speaker wires.	Examine speaker wires. Replace or repair accordingly.
	Remote wire failed to work.	Examine voltage output/connection and repair accordingly.
Equalizer effect cannot be obtained	The input and output connections are reversed.	Check the connection of input & output, ensure that the connection is correct.
Distorting Speakers	Equalizer is overdriven.	Adjust the equalization levels.
		Lower the volume of the source unit.
		Lower sub level.

