



2-WAY COAXIAL SPEAKER

GTx 2652



Enjoy it.

Operating and Installation Instructions

INTRODUCTION

Proper system planning is vital in order to maximize the device's performance and road safety. Plan your installation carefully to avoid compromising performance reliability of the system. Consult an authorized Blaupunkt dealer for installation or reparation. Read the manual carefully before operating the device for the first time.

Safety Notes

Ensure to follow below safety notes during installation and wiring connection: -

- Disconnect the negative terminal of the battery. Refer to the safety notes of the vehicle manufacturer.
- Ensure positions of the holes are nowhere near the vehicle component to avoid any damage during drilling.
- Ensure cross section of the cable is no less than 2.5mm^2 if the positive and negative cables are too long.
- Incorrect installation may result in malfunction of the device or the car sound system.

Installation and Connection Instructions

- Select a dry and well-ventilated location to install the device.
- The device must not be installed in overly exposed location such as on the rear shelf, rear seat etc.
- The installation location must be suitable for screw holes and have stable ground support.

Disclaimer

In no event shall Blaupunkt be liable for any direct, indirect, punitive, incidental, special consequential damages to property or life and whatsoever arising out of or connected with the use or misuse of our products.

USA & CANADA: This product is not intended for sale in the United States and Canada. If purchased in the U.S. or Canada, this product is purchased on as-is basis. No warranty, whether expressed or implied is provided in the U.S. or Canada.

Voltage Supply

- Use the supplied power extension cable to connect to the positive battery terminal.
- Firmly and carefully connect the ground lead to a bare metal point on the vehicle chassis.
- The control of the device should be a two-channel control, either via the preamplifier output of the car sound system.

- A control solely via the right or left channel is also possible since the low-frequency portion of the music is generally identical on both channels.

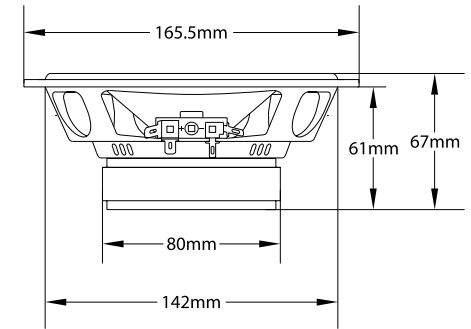
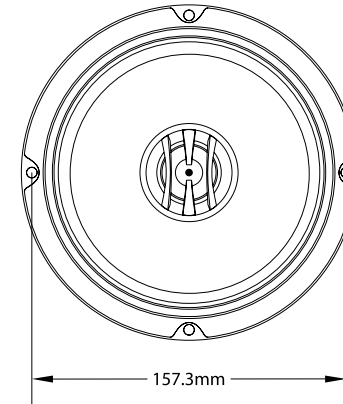
Recycling and Disposal



Do not dispose of your old unit in the household trash!
Use the return and collection systems available to dispose of the old device.

This manual may be updated from time to time without any notice.

SPECIFICATION



Pair of 6.5" 2-way coaxial speakers with PP injected Cone including mounting hardware

- Max. Power Handling : 120W
- Normal Output Power (RMS) : 50W
- Voice Coil : 25.5mm
- Tweeter Size : 43.5mm
- Impedance : 3.6ohms
- Frequency Response : 66Hz - 20,000Hz
- Sensitivity : 89dB
- Mounting Depth : 60mm
- Mounting Hole Diameter : 143mm

