



VELOCITY POWER
VOLKSWAGEN PLUG & PLAY
2-WAY COMPONENT SPEAKER UPGRADE
MPS 1652 CVW
MPS 1802 CVW

MPS 1652 CVW



MPS 1802 CVW



Enjoy it.

INTRODUCTION

Proper system planning is vital in order to maximize the device's performance and road safety. Plan your installation carefully to avoid compromising performance reliability of the system. Consult an authorized Blaupunkt dealer for installation or repairation. Read the manual carefullt before operating the device for the first time.

Safety Notes

Ensure to folow below safety notes during installation and wiring connection: -

- Disconnect the negative terminal of the battery. Refer to the safety notes of the vehicle manufacturer.
- Ensure positions of the holes are nowhere near the vehicle component to avoid any damage during drilling.
- Ensure cross section of the cable is no less than 2.5mm² if the positive and negative cables are too long.
- Incorrect installation may result in malfunction of the device or the car sound system.

Installation and Connection Instructions

- Select a dry and well-ventilated location to install the device.
- The device must not be installed in overly exposed location such on therear shelf, rear seat etc.
- The installation location must be suitable for screw holes and have stable ground support.

Disclaimer

In no event shall Blaupunkt be liable for any direct, indirect, punitive, incidental, special consequential damages to property or life and whatsoever arising out of or connected with the use or misuse of our products.

USA & CANADA: This product is not intended for sale in the United States and Canada. If purchased in the U.S. or Canada, this product is purchased on as-is basis. No warranty, whether expressed or implied is provided in the U.S. or Canada.

Voltage Supply

- Use the supplied power extension cable to connect to the positive battery terminal.
- Firmly and carefully connect the ground lead to a bare metal point on the vehicle chassis.
- The control of the device should be a two-channel control, either via the preamplifier output of the car sound system.

- A control solely via the right or left channel is also possible since the low-frequency portion of the music is generally identical on both channels.

Recycling and Disposal



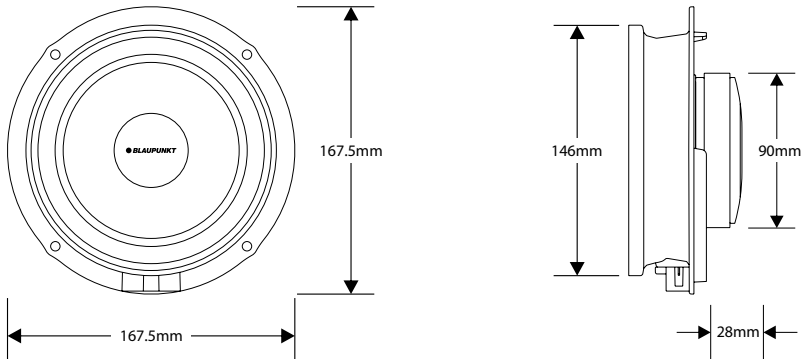
Do not dispose of your old unit in the household trash!
Use the return and collection systems available to dispose of the old device.

This manual may be updated from time to time without any notice.

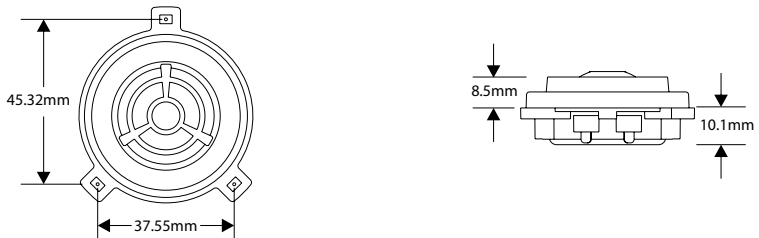
SPECIFICATION

MPS 1652 CVW

Woofer



Tweeter



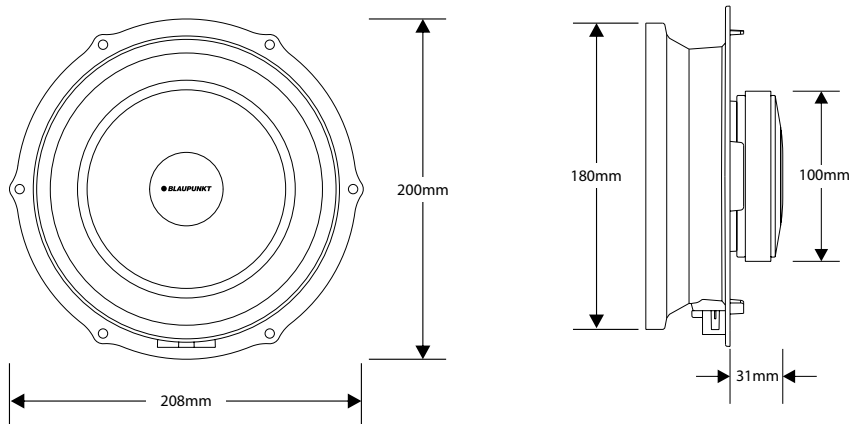
Pair of 6.5" Volkswagen plug & play 2-way component speaker to upgrade OE speaker for selected models with Synthetic Fiberglass Cone including mounting hardware

- Max. Power Handling : 120W
- Normal Output Power (RMS) : 50W
- Voice Coil : 25.5mm
- Tweeter Size : 25.4mm
- Impedance : 3ohms
- Frequency Response : 55.8Hz - 20,000Hz
- Sensitivity : 88dB
- Mounting Depth : 28mm
- Mounting Hole Diameter : 138mm

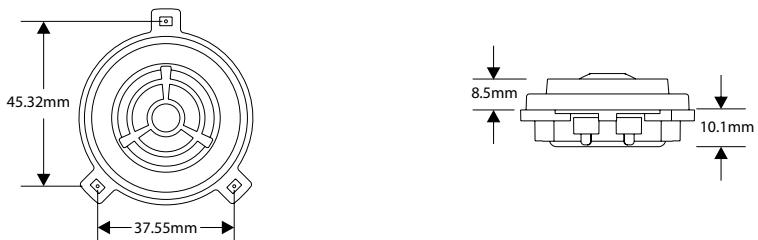
SPECIFICATION

MPS 1802 CVW

Woofers



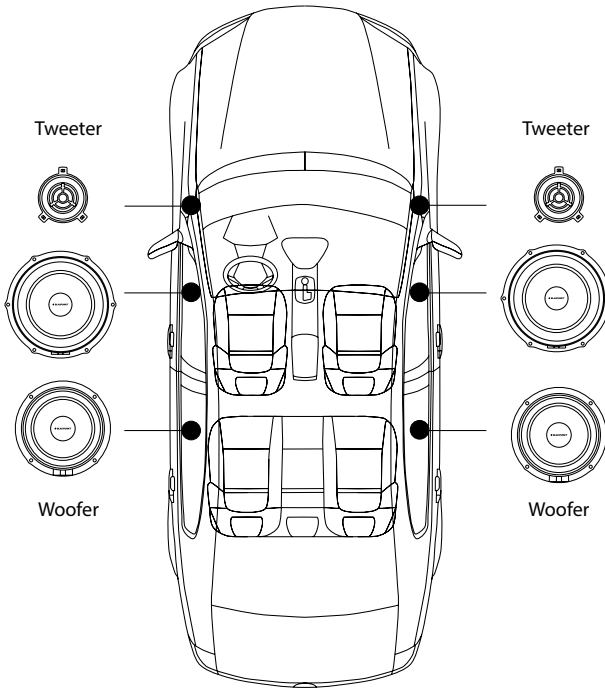
Tweeter



Pair of 8.0" Volkswagen plug & play 2-way component speaker to upgrade OE speaker for selected models with Synthetic Fiberglass Cone including mounting hardware

- Max. Power Handling : 120W
- Normal Output Power (RMS) : 60W
- Voice Coil : 30.55mm
- Tweeter Size : 25.4mm
- Impedance : 3ohms
- Frequency Response : 51Hz - 20,000Hz
- Sensitivity : 89dB
- Mounting Depth : 31mm
- Mounting Hole Diameter : 160mm

INSTALLATION



TROUBLESHOOTING

If any of the following problem occur, please resort to Troubleshooting for the possible solutions. Consult Blaupunkt authorized dealer if problem persist.

Problems	Possible Causes	Solutions
Speaker does not work	Incorrect or loose wiring connection.	Ensure proper wiring connections of speaker.
	Fraying or broken cables.	Repair or replace if the cables are damaged.
	Speaker is damaged.	Replace with a new speaker.
Distorted and hissing sound	Voice coil or speaker cone is damaged.	Replace with a new speaker.

COMPATIBILITY LIST

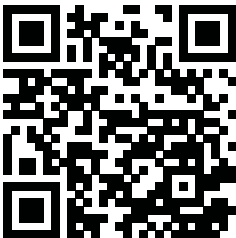
MPS 1652 CVW can be installed in the following list of car models :

Model	Mounting Position
Bettle	Rear panel
POLO	Front/rear door
Scirocco	Front door/rear panel
Santana	Front/rear door
Jetta	Front/rear door
Bora	Front/rear door
Lavida	Front/rear door
Sagitar	Front/rear door
Lamando	Front/rear door
Passat	Front/rear door
Magotan	Rear door
Arteon	Front/rear door
Golf 6	Front/rear door
Golf 7	Front/rear door
Golf R-line	Front/rear door
Golf GTI	Front/rear door
Golf Sportsvan	Front/rear door
Golf Variant/SportWagen	Front/rear door

Model	Mounting Position
Golf Alltrack	Front/rear door
Golf R	Front/rear door
Gran Santana	Front/rear door
C-TREK	Front/rear door
Gran Lavida	Front/rear door
Cross Lavida	Front/rear door
Passat(B8) Variant	Rear door
Tacqua	Front/rear door
T-cross	Front/rear door
T-ROC	Front/rear door
Tharu	Front/rear door
Tayron	Rear door
Tiguan	Rear door
Teramont/Atlas	Rear door
Touran	Rear door
Sharan	Rear door
Multivan	Rear door
Caravelle	Rear door

MPS 1802 CVW can be installed in the following list of car models :

Model	Mounting Position
Bettle	Front door
Magotan	Front door
Phideon	Front/rear door
Passat(B8) Variant	Front door
Tayron	Front door
Tiguan	Front door
Teramont/Atlas	Front door
Touareg	Front/rear door
Touran	Front door
Sharan	Front door
Multivan	Front door
Caravelle	Front door



Designed and engineered by Blaupunkt Competence Centre

MPS 1652 CVW
1 111 21 034 02 01

MPS 1802 CVW
1 111 21 035 02 01